

GR6100-3800

**Maxium Reach:3750 mm /
Lemma Wrist / Max Payload:10 kg**

Highlights

Wider painting range, Lemma wrist, no singularity in the front, especially suitable for painting for in-the-front workpiece;
Standard painting application software, built-in I/Os, easy integration, simple programming;
ATEX explosion-proof certification of China and Eu, can be used in zone 1 gas and zone 21 dust dangerous operation environment.

Applications

Specially designed for large flat workpiece painting: such as wooden door, window frame, pipe;
Also can be used for multi-size irregular parts: such as large vehicles.

Industries

Suitable for furniture, automobile and other industries.



EFORT

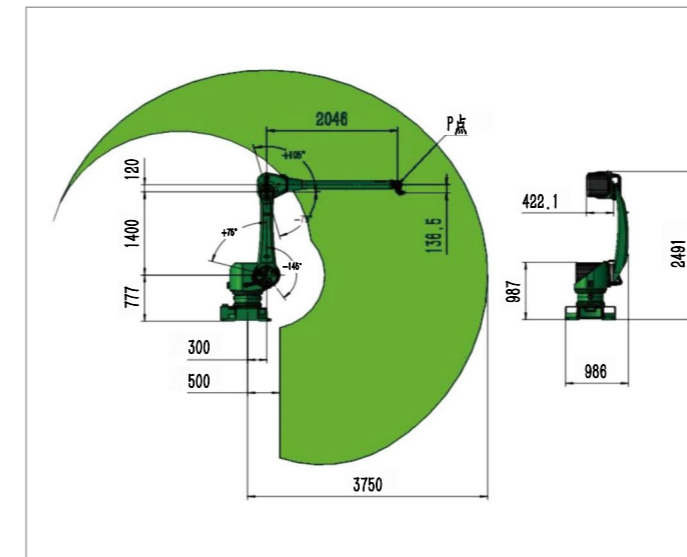
EFORT Intelligent Robot Co., Ltd.

PHONE: (00 86) 400-052-8877
ADDRESS: No. 96, Wanchun East Road, Wuhu, China
(Anhui) Pilot Free Trade Zone
WWW.EFORT.COM.CN

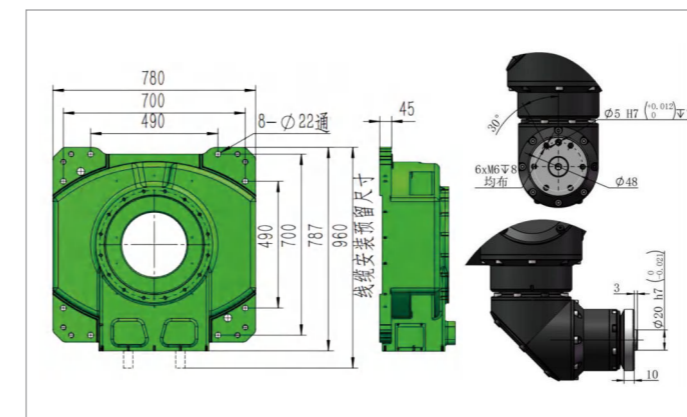
SPECIFICATIONS

Max. Payload on Wrist	10 kg		
Reach	3750 mm		
Repeatability	±0.2 mm		
Motion Range & Maximum Speed	Motion Range	Maximum Speed	
	J1	±155°	110°/sec
	J2	+75°/-145°	120°/sec
	J3	+105°/-75°	120°/sec
	J4	±360°	600°/sec
	J5	±360°	600°/sec
Allowable Load Moment at Wrist	J4	33.2 N·m	
	J5	27.6 N·m	
	J6	15.1 N·m	
Allowable Load Inertia at Wrist	J4	1.17 kg·m ²	
	J5	0.62 kg·m ²	
	J6	0.15 kg·m ²	

OPERATING SPACE



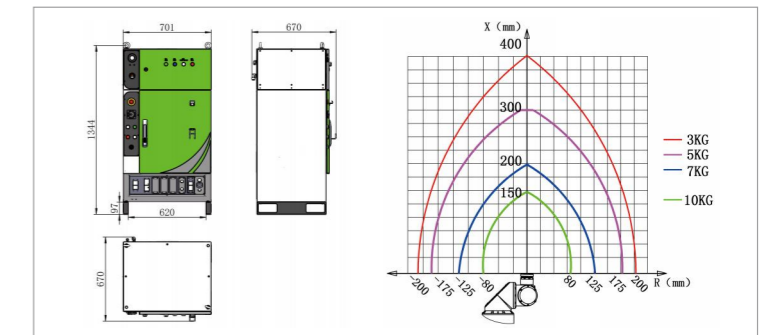
BASE & END FLANGE MOUNTING SIZE



GR-Series Painting Robot

Structure	6-Axis Series Structure	
Installation	Floor, Upside-down	
IP Grade	Robot	IP 65
	Cabinet	IP 54
Explosion-Proof	ATEX-Gas	Ex db ib pxb IIC T4 Gb
	ATEX-Dust	Ex tb ib pxb IIIC T135°C Db
Environment Requirements	Voltage	AC400V(±10%)
	Power Capacity	11 kVA
	Temperature	0-40 °C
	Humidity	RH≤80% (No Condensation)
Arm Payload	Outer Arm	10 kg
	Inner Arm	10 kg
Weight	Robot	950 kg
	Cabinet	160 kg

CONTROL CABINET SIZE & WRIST END LOAD MAP



SELECTION & CONFIGURATION TABLE

Item	Standard	Optional	
Driver	6 Axes	6+2 Axes	
Connector Cable	Static:8 m	Max:30 m	
	/	Towing Cable:Max 30 m	
Pendant	8 m	Max:30 m	
DI/DO	16/16	/	
AI/AO	/	Customized:Max 4	
Communication Mode	Ethercat	ProfiNet	CCLink
Memory Capacity	1GB	/	
Connector	Ethercat network port	/	
Software Package	Painting Package	/	
Belt Tracking	/	Optional	
Color	RAL6018	Customized	

*The final interpretation right belongs to EFORT Intelligent Robot Co., Ltd. Any updates will be made without prior notice.

Information Release Time 2025/12