

# ER230-2700

**EFORT**

**ER230-2700,**  
Maxium payload 230 kg with maxium reach 2702 mm.

## Highlights

A brand new heavy-duty platform product, with all shafts connected by rigid gears, providing superior torque performance for the robot wrist; The robot's repeated positioning accuracy has been improved by 50%, which belongs to the leading level in the same level and can cope with various high-precision application scenarios; Combining high rigidity transmission design with advanced trajectory algorithms, it has stronger dynamic performance and more stable high-speed operation.

## Applications

It can be used in Spot welding, SW-Stud welding, handling operations, cell changing disc and group disc, palletizing, assembling, grinding, polishing, etc.

## Industries

Suitable for auto, Lithium battery, photovoltaic, food and beverage, building materials, logistics and warehousing and other industries.

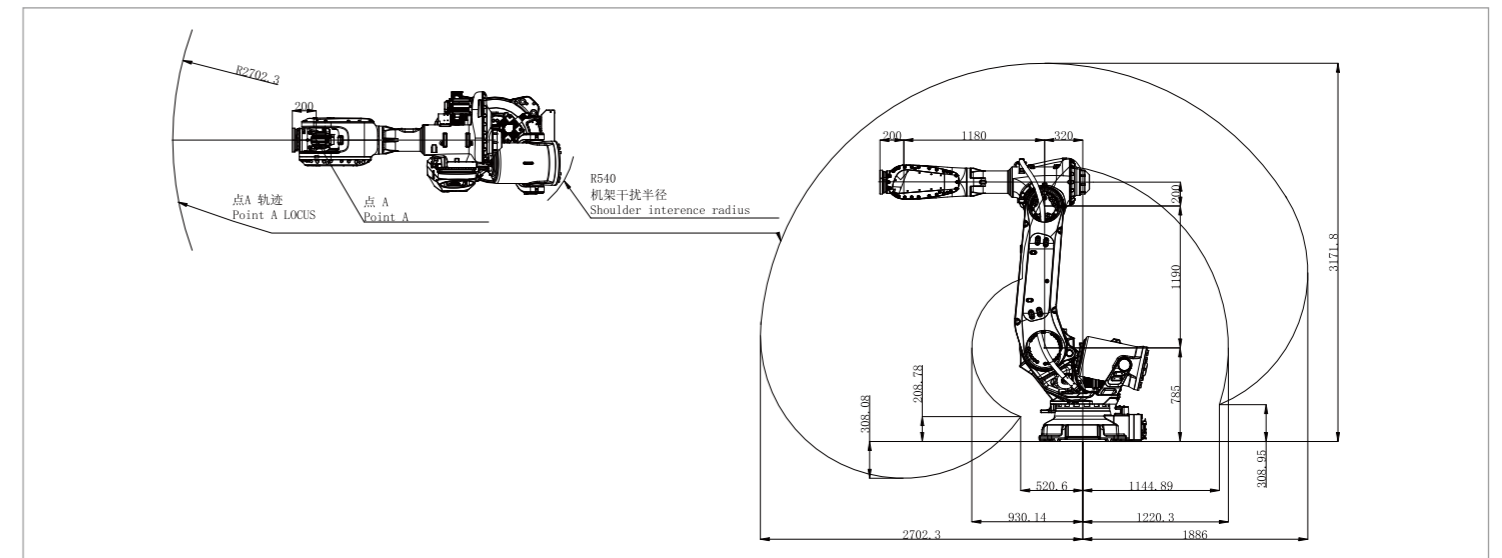


## SPECIFICATIONS

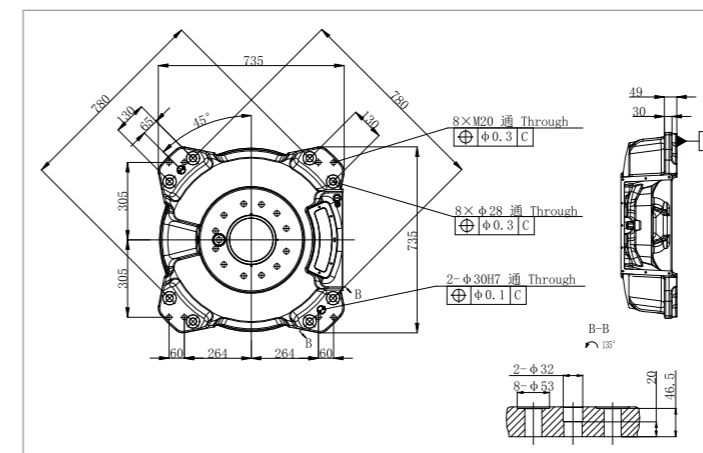
<b>Model</b>	ER230-2700	
<b>Type</b>	Articulated	
<b>Controlled axes</b>	6 Axes	
<b>Max. payload on wrist</b>	230 kg	
<b>Repeatability</b>	±0.05 mm	
<b>Robot weight</b>	1320 kg	
<b>Reach</b>	2702 mm	
<b>Robot IP grade</b>	IP65/IP67 (Wrist)	
<b>Cabinet IP grade</b>	IP54	
<b>Drive mode</b>	AC servo drive	
<b>Installation</b>	Floor	
<b>Installation enviroment</b>	<b>Ambient temperature</b>	0~45 °C
	<b>Ambient humidity</b>	RH≤80% (No dew nor frost allowed)
	<b>Vibration acceleration</b>	4.9 m/s <sup>2</sup> (<0.5 G)

<b>Allowable load moment at wrist</b>	<b>J4</b>	1400 N·m
	<b>J5</b>	1400 N·m
	<b>J6</b>	745 N·m
<b>Allowable load inertia at wrist</b>	<b>J4</b>	180 kg·m <sup>2</sup>
	<b>J5</b>	180 kg·m <sup>2</sup>
	<b>J6</b>	85 kg·m <sup>2</sup>
<b>Maximum speed</b>	<b>J1</b>	130°/sec
	<b>J2</b>	110°/sec
	<b>J3</b>	115°/sec
	<b>J4</b>	170°/sec
	<b>J5</b>	120°/sec
	<b>J6</b>	220°/sec
<b>Motion range</b>	<b>J1</b>	±185°
	<b>J2</b>	+65°-85°
	<b>J3</b>	+180°-70°
	<b>J4</b>	±360°
	<b>J5</b>	±130°
	<b>J6</b>	±360°

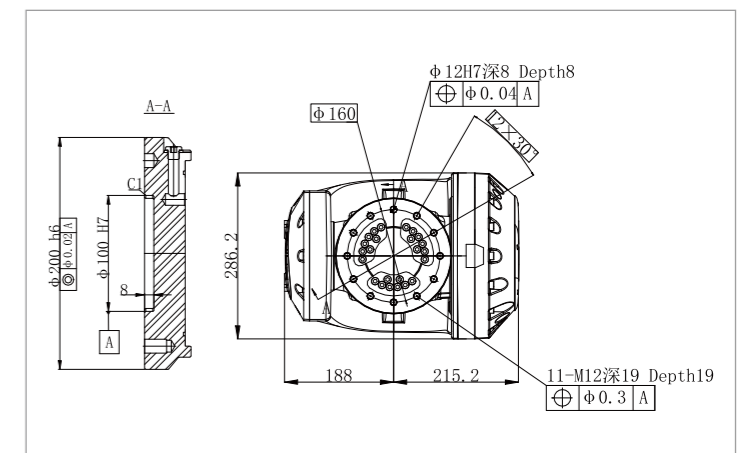
## OPERATING SPACE



## BASE MOUNTING SIZE



## END FLANGE MOUNTING SIZE



**EFORT Intelligent Robot Co., Ltd.**  
PHONE: (00 86) 400-052-8877  
ADDRESS: No. 96, Wanchun East Road, Wuhu, China  
(Anhui) Pilot Free Trade Zone  
WWW.EFORT.COM.CN

\*The final interpretation right belongs to EFORT Intelligent Robot Co., Ltd. Any updates will be made without prior notice.