

Arc Welding Robot

ARC12-2000

ARC12-2000 is a medium payloads robot.
Maxium payload 12 kg with maxium reach 2025 mm.

Highlights

Thanks to the large and hollow design, the cable can be routed in a hollow way, effectively improving the service life of the cable, and the posture change in a narrow space is more flexible;
High-rigid gearbox with strong impact resistance helps customers challenge various application scenarios;
Thanks to the high stiffness transmission design and advanced trajectory algorithm, the improved robot accuracy performance helps customers to face variety of application scenarios.

Applications

It can be used in Arc welding applications

Industries

Suitable for metal parts, auto parts, steel structure and other industries.



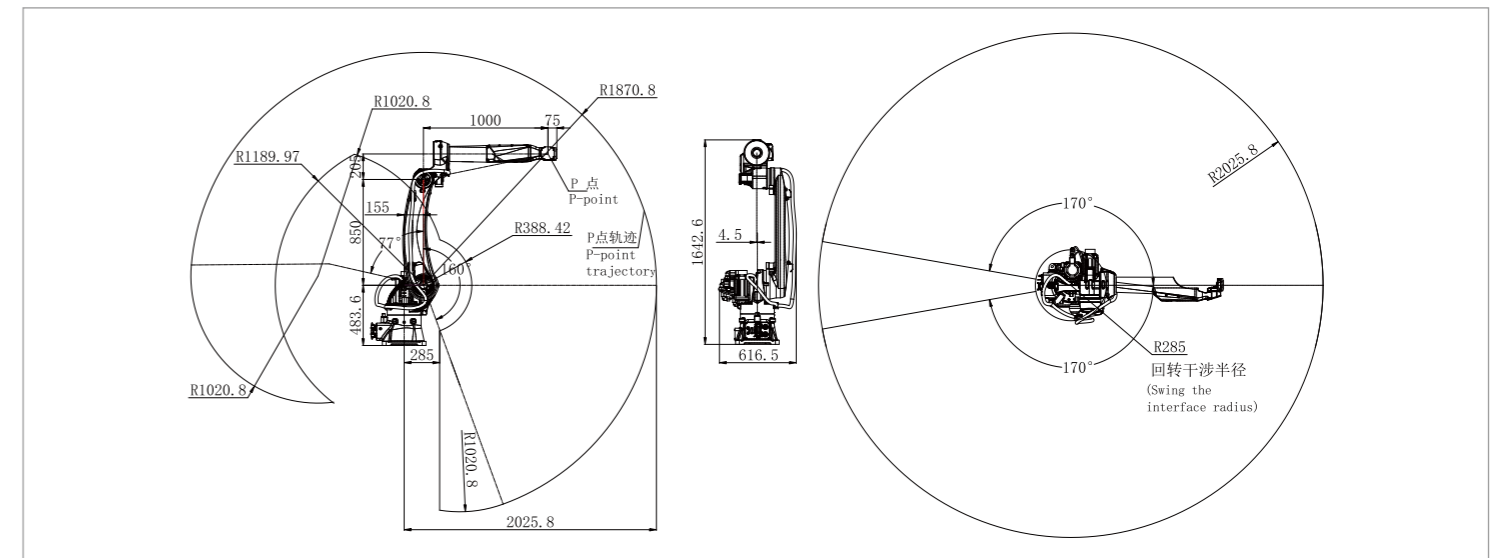
EFORT

SPECIFICATIONS

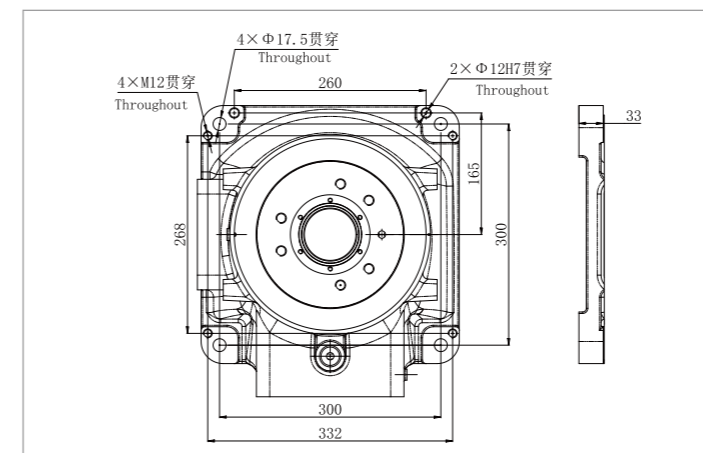
| | | |
|--------------------------------|-------------------------------|-----------------------------------|
| Model | ARC12-2000 | |
| Type | Articulated | |
| Controlled axes | 6 Axes | |
| Max. payload on wrist | 12 kg | |
| Repeatability | ±0.03 mm | |
| Robot weight | 207 kg | |
| Reach | 2025 mm | |
| Robot IP grade | IP54 / IP67 (Wrist) | |
| Cabinet IP grade | IP54 | |
| Drive mode | AC servo drive | |
| Installation | Floor, Upside-down | |
| Installation enviroment | Ambient temperature | 0~45 °C |
| | Ambient humidity | RH≤80% (No dew nor frost allowed) |
| | Vibration acceleration | 4.9 m/s ² (<0.5 G) |

| | | |
|--|-----------|---|
| Allowable load moment at wrist | J4 | 22 N·m |
| | J5 | 22 N·m |
| | J6 | 9.8 N·m |
| Allowable load inertia at wrist | J4 | 0.65 kg·m ² |
| | J5 | 0.65 kg·m ² |
| | J6 | 0.17 kg·m ² |
| Maximum speed | J1 | 220°/sec |
| | J2 | 180°/sec |
| | J3 | 210°/sec |
| | J4 | 420°/sec |
| | J5 | 420°/sec |
| | J6 | 700°/sec |
| Motion range | J1 | ±170° |
| | J2 | +77°-160° |
| | J3 | +175°-85° |
| | J4 | ±190° |
| | J5 | ±190°(The connect outside robot body.) ±140°(The connect inside robot body.) |
| | J6 | ±450°(The connect outside robot body.) ±220°(The connect inside robot body.) |

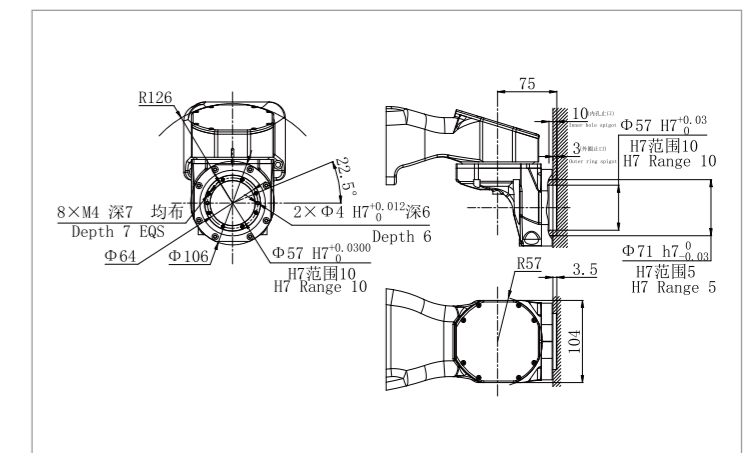
OPERATING SPACE



BASE MOUNTING SIZE



END FLANGE MOUNTING SIZE



EFORT Intelligent Robot Co., Ltd.

PHONE: (00 86) 400-052-8877
ADDRESS: No. 96, Wanchun East Road, Wuhu, China
(Anhui) Pilot Free Trade Zone
WWW.EFORT.COM.CN

*The final interpretation right belongs to EFORT Intelligent Robot Co., Ltd. Any updates will be made without prior notice.

Information Release Time 2026/03